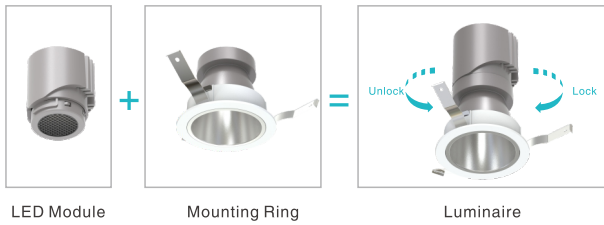
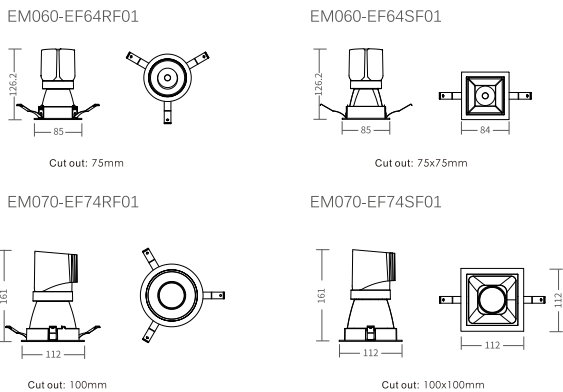


MODULAR DESIGN



DIMENSION



ANTI-GLARE ACCESSORY



DESCRIPTION

ELLA-Deep Anti-glare series, deep recessed mounting ring enable 48° cut-off for excellent glare control. The luminaires blend elegantly into the ceiling layout and embody the philosophy of "light instead of luminaires." Super modular design with round as well as square, honeycomb filter can be added to provide maximum visual comfort.

FEATURES

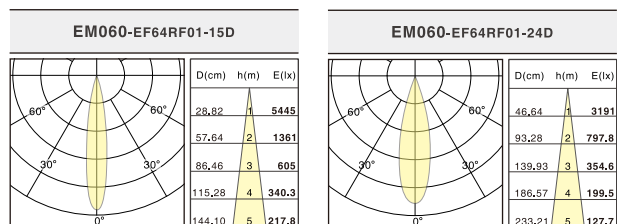
- Elegant & compact in its style, versatile in its using.
- Precise light control, UGR<9.
- Super modular design, replacing LED module, mounting ring, beam lens and anti-glare accessories without any needs for tools.
- IP20 is standard, IP44 is optional.

SPECIFICATION

| | |
|-----------------------------|--|
| INPUT VOLTAGE | 220-240V / 100-120V / 100-277V AC, 50-60Hz |
| DIMMABLE | On-off, Phase dim, 1-10V, DALI |
| BEAM ANGLE | 15°,24°,38°,55° |
| HOUSING COLOR | Black |
| OPERATING TEMPERATURE RANGE | -20~+40°C |

| MODEL NUMBER | POWER | COLOR TEMP | LUMINOUS FLUX(Lm) CRI80+ | LUMINOUS FLUX(Lm)±5% CRI90+ | BEAM ANGLE |
|----------------|-------|------------|--------------------------|-----------------------------|------------|
| EM060-EF64RF01 | 9W | 2700K | 848 lm | 666 lm | 24° |
| | | 3000K | 924 lm | 725 lm | |
| EM060-EF64SF01 | 9W | 2700K | 857 lm | 673 lm | 38° |
| | | 3000K | 934 lm | 733 lm | |
| EM060-EF64RF01 | 13W | 2700K | 962 lm | 755 lm | 24° |
| | | 3000K | 1047 lm | 822 lm | |
| EM060-EF64SF01 | 13W | 2700K | 972 lm | 763 lm | 38° |
| | | 3000K | 1060 lm | 832 lm | |
| EM070-EF74RF01 | 20W | 2700K | 2433 lm | 1910 lm | 15° |
| | | 3000K | 2535 lm | 1990 lm | |
| EM070-EF74SF01 | 20W | 2700K | 2433 lm | 1910 lm | 15° |
| | | 3000K | 2535 lm | 1990 lm | |
| EM070-EF74RF01 | 25W | 2700K | 2823 lm | 2216 lm | 24° |
| | | 3000K | 2931 lm | 2301 lm | |
| EM070-EF74SF01 | 25W | 2700K | 2808 lm | 2204 lm | 24° |
| | | 3000K | 2971 lm | 2332 lm | |

LIGHT DISTRIBUTION

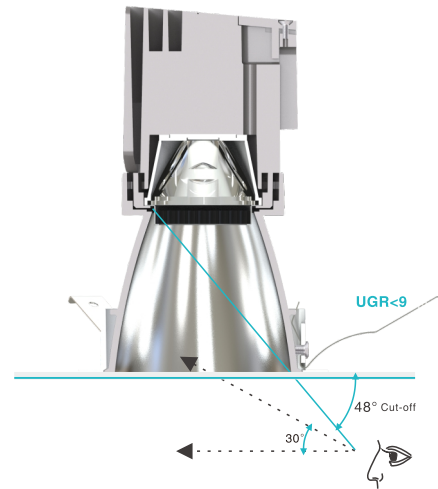


PACKAGE

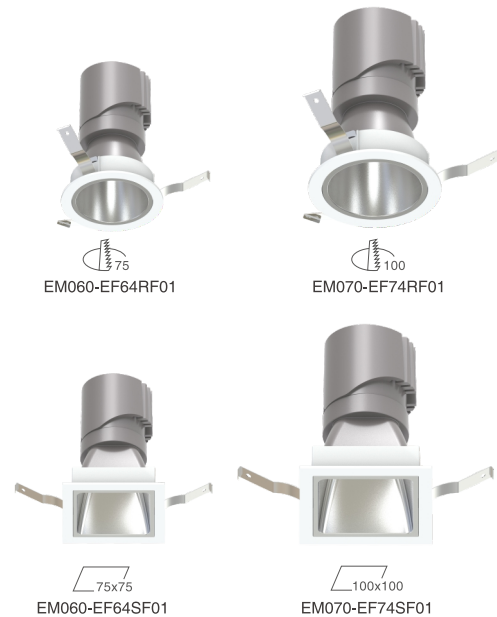
| | |
|--------------------|----------------------------------|
| Model | EM060-EF64RF01 EM060-EF64SF01 |
| PCS/Carton | 27 |
| Inner Box size(cm) | 11.5*9.5*13 |
| Carton size(cm) | 40.5*36*30.5 |
| Net weight(kg) | 0.41 |
| Gross weight(kg) | 16 |

ANTI-GLARE

In the glare free angle, there is no direct view of the LED and the visible part of the reflector produces practically no glare at all. This zone offers very high visual comfort.



ELLA-Deep Anti-glare Series Overview



| EM060-EF64RF01-38D | | EM060-EF64RF01-55D | |
|--------------------|---|--------------------|--|
| | D(cm) h(m) E(lx) 56,21 1 2355 112,42 2 588,8 168,62 3 261,7 224,83 4 147,2 281,04 5 94,2 | | D(cm) h(m) E(lx) 72,23 1 1259 144,47 2 314,8 216,7 3 139,9 288,94 4 78,71 361,17 5 50,37 |
| EM060-EF64SF01-15D | | EM060-EF64SF01-24D | |
| | D(cm) h(m) E(lx) 29,31 1 5308 58,61 2 1327 87,92 3 589,8 117,22 4 331,8 146,53 5 212,3 | | D(cm) h(m) E(lx) 46,66 1 3123 93,32 2 780,6 139,98 3 346,9 186,64 4 195,2 233,30 5 124,9 |
| EM060-EF64SF01-38D | | EM060-EF64SF01-55D | |
| | D(cm) h(m) E(lx) 59,29 1 2187 118,58 2 546,7 177,87 3 243,0 237,16 4 136,7 296,45 5 87,5 | | D(cm) h(m) E(lx) 81,78 1 1013 163,55 2 253,4 245,33 3 112,6 327,11 4 63,3 408,89 5 40,5 |
| EM070-EF74RF01-15D | | EM070-EF74RF01-24D | |
| | D(cm) h(m) E(lx) 33,54 1 12725 67,08 2 3181 100,61 3 1414 134,15 4 795,3 167,69 5 509,0 | | D(cm) h(m) E(lx) 47,86 1 9316 95,71 2 2329 143,57 3 1035 191,43 4 582,2 239,29 5 372,6 |
| EM070-EF74RF01-38D | | EM070-EF74RF01-55D | |
| | D(cm) h(m) E(lx) 63,49 1 5503 126,99 2 1376 190,48 3 611,5 253,97 4 344,0 317,47 5 220,1 | | D(cm) h(m) E(lx) 93,75 1 2610 187,50 2 652,4 281,24 3 290,0 374,99 4 163,1 468,74 5 104,4 |
| EM070-EF74SF01-15D | | EM070-EF74SF01-24D | |
| | D(cm) h(m) E(lx) 35,38 1 12734 70,76 2 3183 106,13 3 1415 141,51 4 795,9 176,89 5 509,4 | | D(cm) h(m) E(lx) 48,52 1 9381 97,04 2 2345 145,57 3 1042 194,09 4 586,3 242,61 5 375,2 |
| EM070-EF74SF01-38D | | EM070-EF74SF01-55D | |
| | D(cm) h(m) E(lx) 64,66 1 5469 129,31 2 1376 193,97 3 607,7 258,62 4 341,8 323,28 5 218,8 | | D(cm) h(m) E(lx) 96,08 1 2369 192,17 2 592,2 288,25 3 263,2 384,34 4 148,0 480,42 5 94,75 |