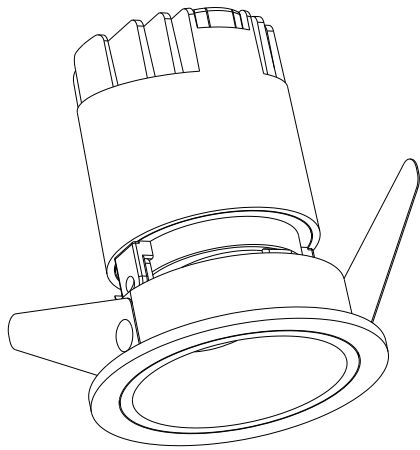


INSTALLATION INSTRUCTIONS



Please read these instructions carefully before commencing installation and retain for future reference. If any problem, please consult qualified electricians to get some help. These products must not be modified. If any modification is made it may invalidate the warranty and may render the product unsafe. All electrical installations must be carried out according to current IEE Wiring Regulations.

IMPORTANT SAFETY NOTES

1. Make sure all main power are disconnected before commencing installation or lamp change and (if a fuse box is used) remove the appropriate circuit fuse to avoid accidental switching on of the mains supply.
2. Connect to a 220V-240V supply in accordance with IEE regulations.
3. Make sure all connections are tight with no loose strands.
4. Ensure fire regulations are not breached when fitting your lights.
5. If you are in any doubt regarding these instructions, consult a qualified electrician.

WARNING:

1. For indoor use only
2. Please ensure that the packaging is disposed of in a safe environment.
3. If cable is defected, do not use or exchange the cable.
4. We do recommend that a qualified electrician should be used to install the products.
5. Do not look at the lighted lamp directly.

