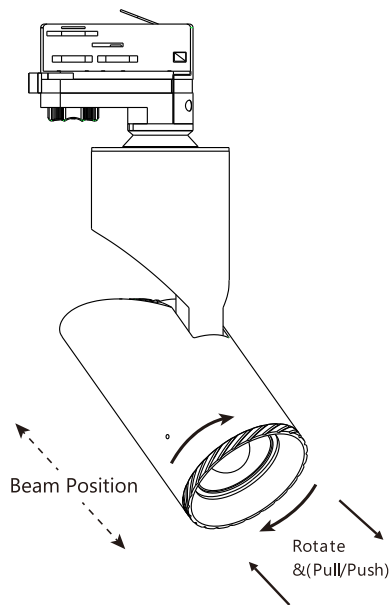


## INSTALLATION INSTRUCTIONS



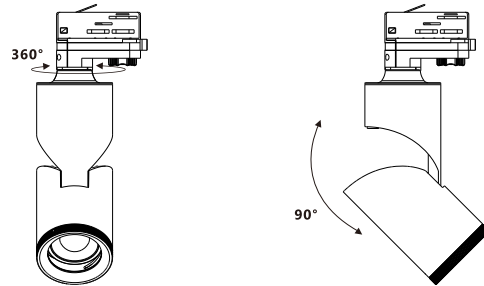
### IMPORTANT SAFETY INSTRUCTION

When installing or using this luminaire, basic safety precautions should always be followed, including the below:

- Read all instructions.
- Do not install this luminaire in damp or wet locations.
- Do not install any part of this luminaire less than 5 feet above the floor.
- Do not install any luminaire assembly closer than 6 inches from any curtain, or similar combustible material.
- Disconnect electrical power before adding to or changing the configuration of the track.
- The luminaire must be positioned so as to avoid operation in direct sunlight or near other sources of heat. High ambient temperatures can reduce the life and efficiency of control gear or LED module.
- Do not attempt to energize anything other than lighting track luminaires on the track.

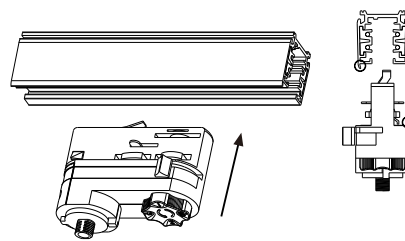
To reduce the risk of fire and electric shock, do not attempt to connect power tools, extension cords, appliances, and the like to the track.

1.



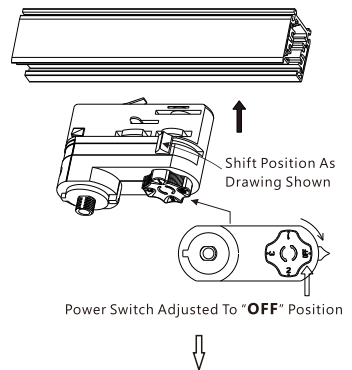
Track Head Rotates Through 360° And Pivot Through 90°

2.

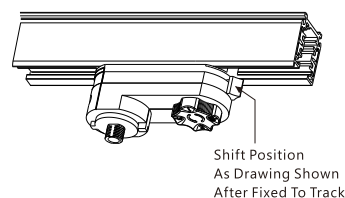


Make Sure The Adaptor Flange And The Track Plane at Different Side, Then Track Adaptor Into The Track

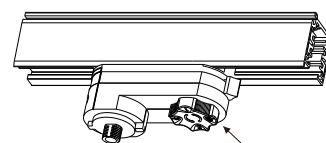
3.



Power Switch Adjusted To "OFF" Position



Shift Position As Drawing Shown After Fixed To Track



Adjust Selection To (OFF/1/2/3)

