



DESCRIPTION

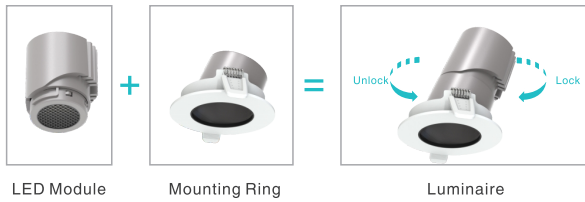
ELLA-Residential series, perfect spot lighting or accentuation with an almost invisible light aperture is ideally achieved. Super modular design with numerous mounting rings, round as well as square designs with adjustable and fixed options, in various wattages enable nuanced adaptations to different needs. Honeycomb filter can be added to provide maximum visual comfort.

FEATURES

- Elegant & compact in its style, versatile in its using.
- Precise light control, 15°, 24°, 38°, 55° beam lens options.
- Numerous mounting rings with round & square and adjustable & fixed options.
- Super modular design, replacing LED module, mounting ring, beam lens and anti-glare accessories without any needs for tools.
- IP20 is standard, IP44 is optional.



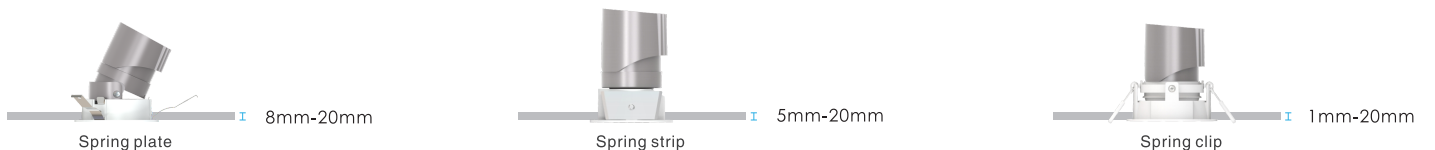
MODULAR DESIGN



DIMENSION



CEILING THICKNESS



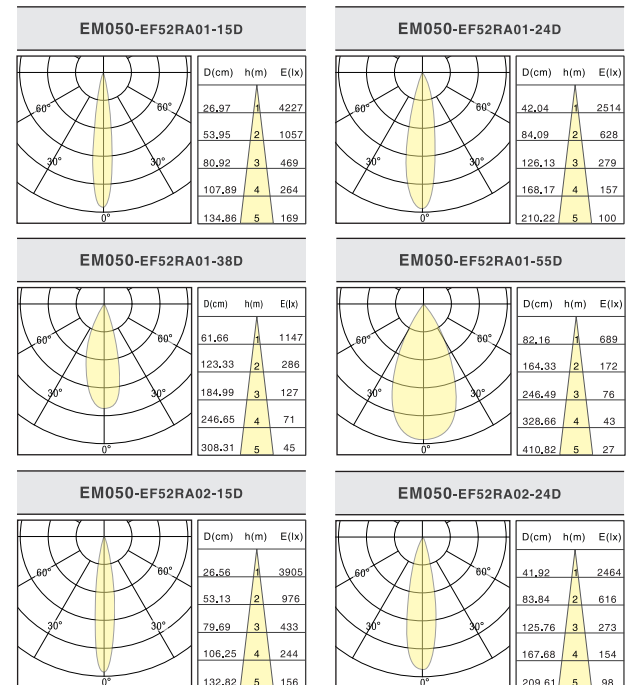
SPECIFICATION

INPUT VOLTAGE 220-240V / 100-120V / 100-277V AC, 50-60Hz  
**DIMMABLE** On-off, Phase dim, 1-10V, DALI  
 BEAM ANGLE 15°, 24°, 38°, 55°  
 HOUSING COLOR Black  
 OPERATING TEMPERATURE RANGE -20~+40°C

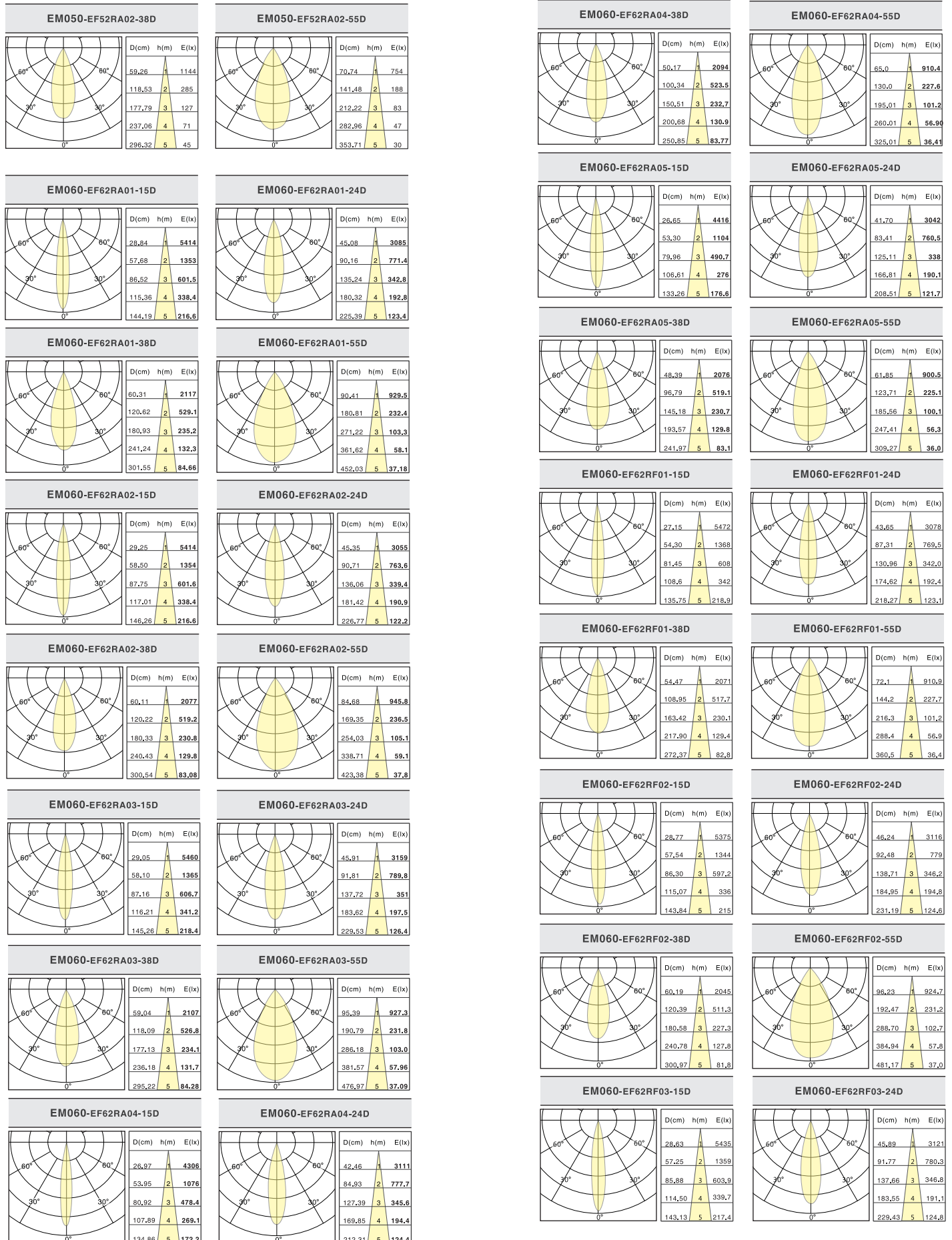
MODEL NUMBER	POWER	COLOR TEMP	LUMINOUS FLUX(Lm) CRI80+	LUMINOUS FLUX(Lm)±5% CRI90+	BEAM ANGLE
EM050-EF52RA01	5W	2700K 3000K	414 lm 426 lm	326 lm 336 lm	38°
EM050-EF52RA02	5W	2700K 3000K	400 lm 448 lm	315 lm 353 lm	38°
EM050-EF52RA01	8W	2700K 3000K	483 lm 502 lm	381 lm 396 lm	38°
EM050-EF52RA02	8W	2700K 3000K	473 lm 491 lm	373 lm 387 lm	38°
EM060-EF62RA01	10W	2700K 3000K	839 lm 915 lm	659 lm 718 lm	38°
EM060-EF62RA02	10W	2700K 3000K	822 lm 896 lm	645 lm 703 lm	38°
EM060-EF62RA03	10W	2700K 3000K	931 lm 1014 lm	731 lm 796 lm	38°
EM060-EF62RA04	10W	2700K 3000K	682 lm 741 lm	534 lm 582 lm	38°
EM060-EF62RA05	10W	2700K 3000K	693 lm 755 lm	546 lm 595 lm	38°
EM060-EF62RA01	15W	2700K 3000K	1304 lm 1428 lm	1024 lm 1115 lm	38°
EM060-EF62RA02	15W	2700K 3000K	1276 lm 1390 lm	1002 lm 1091 lm	38°
EM060-EF62RA03	15W	2700K 3000K	1446 lm 1576 lm	1135 lm 1237 lm	38°
EM060-EF62RA04	15W	2700K 3000K	1341 lm 1410 lm	1056 lm 1111 lm	38°
EM060-EF62RA05	15W	2700K 3000K	1341 lm 1410 lm	1056 lm 1111 lm	38°
EM060-EF62RF01	10W	2700K 3000K	742 lm 808 lm	585 lm 637 lm	38°
EM060-EF62RF02	10W	2700K 3000K	941 lm 1026 lm	741 lm 808 lm	38°
EM060-EF62RF03	10W	2700K 3000K	947 lm 1032 lm	746 lm 813 lm	38°
EM060-EF62RF01	15W	2700K 3000K	1341 lm 1410 lm	1056 lm 1111 lm	38°
EM060-EF62RF02	15W	2700K 3000K	1498 lm 1577 lm	1180 lm 1242 lm	38°
EM060-EF62RF03	15W	2700K 3000K	1577 lm 1659 lm	1242 lm 1307 lm	38°

MODEL NUMBER	POWER	COLOR TEMP	LUMINOUS FLUX(Lm) CRI80+	LUMINOUS FLUX(Lm)±5% CRI90+	BEAM ANGLE
EM070-EF72RA01	20W	2700K 3000K	2310 lm 2423 lm	1819 lm 1908 lm	38°
EM070-EF72RA01	25W	2700K 3000K	2679 lm 2811 lm	2110 lm 2214 lm	38°
EM070-EF72RF01	20W	2700K 3000K	2310 lm 2423 lm	1819 lm 1908 lm	38°
EM070-EF72RF01	25W	2700K 3000K	2679 lm 2811 lm	2110 lm 2214 lm	38°
EM090-EF92RA01	30W	2700K 3000K	2673 lm 2781 lm	2105 lm 2190 lm	38°
EM090-EF92RA02	30W	2700K 3000K	2604 lm 2710 lm	2051 lm 2134 lm	38°
EM090-EF92RA01	35W	2700K 3000K	3195 lm 3326 lm	2516 lm 2619 lm	38°
EM090-EF92RA02	35W	2700K 3000K	3131 lm 3258 lm	2466 lm 2566 lm	38°
EM090-EF92RF01	30W	2700K 3000K	2618 lm 2725 lm	2062 lm 2146 lm	38°
EM090-EF92RF02	30W	2700K 3000K	2604 lm 2710 lm	2051 lm 2134 lm	38°
EM090-EF92RF01	35W	2700K 3000K	3130 lm 2411 lm	2465 lm 2565 lm	38°
EM090-EF92RF02	35W	2700K 3000K	3186 lm 3315 lm	2509 lm 2611 lm	38°

LIGHT DISTRIBUTION



LIGHT DISTRIBUTION



LIGHT DISTRIBUTION



LED MODULE PACKAGE

Model	EM050
PCS/Carton	60
Inner Box size(cm)	9.5*8.5*5
Carton size(cm)	48.5*35*17
Net weight(kg)	0.25
Gross weight(kg)	18.2

Model	EM060
PCS/Carton	30
Inner Box size(cm)	15*10.5*7
Carton size(cm)	53.5*31*23
Net weight(kg)	0.37
Gross weight(kg)	13.25

Model	EM070
PCS/Carton	20
Inner Box size(cm)	15*11.5*8.5
Carton size(cm)	58.5*31*19
Net weight(kg)	0.6
Gross weight(kg)	13.8

## LED MODULE PACKAGE

Model	EM050
PCS/Carton	60
Inner Box size(cm)	9.5*8.5*5
Carton size(cm)	48.5*35*17
Net weight(kg)	0.25
Gross weight(kg)	18.2

Model	EM060
PCS/Carton	30
Inner Box size(cm)	15*10.5*7
Carton size(cm)	53.5*31*23
Net weight(kg)	0.37
Gross weight(kg)	13.25

Model	EM070
PCS/Carton	20
Inner Box size(cm)	15*11.5*8.5
Carton size(cm)	58.5*31*19
Net weight(kg)	0.6
Gross weight(kg)	13.8

Model	EM090
PCS/Carton	18
Inner Box size(cm)	15*13*10.5
Carton size(cm)	46*40*23
Net weight(kg)	0.95
Gross weight(kg)	18.98

## MOUNTING RING MODULE PACKAGE

Model	EM050-EF52RA01 EM050-EF52RA02
PCS/Carton	60
Inner Box size(cm)	7*7*5
Carton size(cm)	36*29*17
Net weight(kg)	0.059
Gross weight(kg)	7.44

Model	EM060-EF62RA01 EM060-EF62RF01
PCS/Carton	60
Inner Box size(cm)	10*9.5*6
Carton size(cm)	41*29.5*32
Net weight(kg)	0.135
Gross weight(kg)	12

Model	EM060-EF62RA02
PCS/Carton	60
Inner Box size(cm)	9.6*9.6*8
Carton size(cm)	49*39.5*26
Net weight(kg)	0.17
Gross weight(kg)	14.1

Model	EM060-EF62RF02
PCS/Carton	60
Inner Box size(cm)	9.6*9.6*8
Carton size(cm)	49*39.5*26
Net weight(kg)	0.093
Gross weight(kg)	9.48

Model	EM060-EF62RA03 EM060-EF62RF03
PCS/Carton	27
Inner Box size(cm)	9.6*9.6*6
Carton size(cm)	39.5*29.8*32
Net weight(kg)	0.079
Gross weight(kg)	8.64

Model	EM060-EF62RA04 EM060-EF62SA04 EM060-EF62RA05 EM060-EF62SA05
PCS/Carton	60
Inner Box size(cm)	8*8*6
Carton size(cm)	33*25*32
Net weight(kg)	0.111
Gross weight(kg)	10.56

Model	EM070-EF72RA01
PCS/Carton	40
Inner Box size(cm)	13*13*6.5
Carton size(cm)	53*27*34.5
Net weight(kg)	0.222
Gross weight(kg)	11.78

Model	EM070-EF72RF01
PCS/Carton	40
Inner Box size(cm)	12*12*8.5
Carton size(cm)	49*25*44.5
Net weight(kg)	0.156
Gross weight(kg)	9.14

Model	EM090-EF92RA01
PCS/Carton	18
Inner Box size(cm)	15*15*10
Carton size(cm)	46*31*32
Net weight(kg)	0.314
Gross weight(kg)	7.452

Model	EM090-EF92RA02
PCS/Carton	18
Inner Box size(cm)	15*15*10
Carton size(cm)	46*31*32
Net weight(kg)	0.37
Gross weight(kg)	8.46

Model	EM090-EF92RF01
PCS/Carton	18
Inner Box size(cm)	13*13*8
Carton size(cm)	40*27*41
Net weight(kg)	0.215
Gross weight(kg)	5.67

Model	EM090-EF92RF02
PCS/Carton	18
Inner Box size(cm)	14.5*14.5*13
Carton size(cm)	44.5*30*42
Net weight(kg)	0.262
Gross weight(kg)	6.516





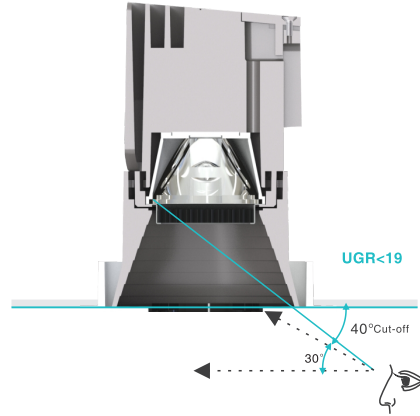
LED Module

Adjustable Fixed



ANTI-GLARE

In the glare free angle, there is no direct view of the LED and the visible part of the reflector produces practically no glare at all. This zone offers very high visual comfort.



ANTI-GLARE ACCESSORY

