



Type:

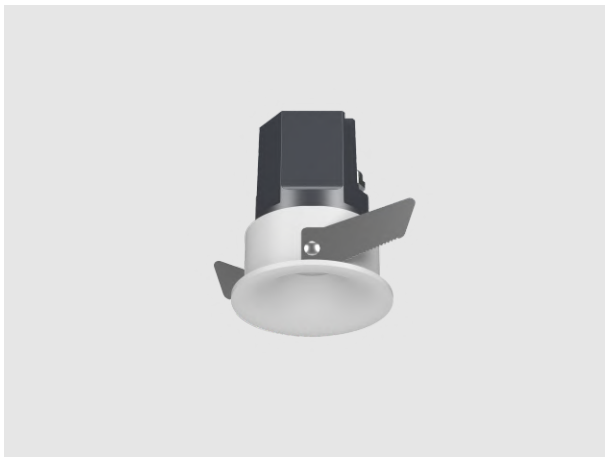
**SPECIFICATION SHEET**

Project:

Page 1 / 7

# DELLA-IP65

## DM050/DM050P



### DESCRIPTION

DELLA Downlight is available in both IP20 and IP65 versions. Its sleek concave trim and narrow frame design seamlessly integrate into architectural ceilings. Crafted for luxurious settings—such as five-star hotel corridors, villa bathrooms, and semi-outdoor terraces—it delivers exceptional optical performance in spaces where aesthetics and ambiance are paramount.

### FEATURES

- True IP65-rated for the entire fixture, suitable for humid environments such as bathrooms and semi-outdoor corridors.
- Smooth concave trim with minimal bezel for a discreet, built-in appearance.
- Deep 30° Cut-Off Optic ensures glare-free visual comfort, ideal for refined residential and hospitality settings.

### SPECIFICATIONS

#### ELECTRICAL

|               |                        |
|---------------|------------------------|
| Power:        | 8W, 10W                |
| Voltage:      | AC 220-240V            |
| Frequency:    | 50/60Hz                |
| Power Factor: | >0.90                  |
| Dimming:      | 0/1-10V / TRIAC / DALI |

#### OPTICAL

|                    |  |
|--------------------|--|
| LED Type:          | COB  |
| Lumen Output:      | 627lm (8W), 788lm (10W)  |
| Beam Optic:        | Narrow Spot (15°) / Spot (28°, 33°) / Flood (45°) (8W)<br>Spot (28°, 33°) / Flood (45°) (10W)      |
| Color Quality:     | CRI 90+, SDCM≤3  |
| Color Temperature: | Static White: 2700K, 3000K, 3500K, 4000K<br>Tunable White: 2700K-6000K<br>Dim-to Warm: 1800K-3000K |

#### LUMINAIRE

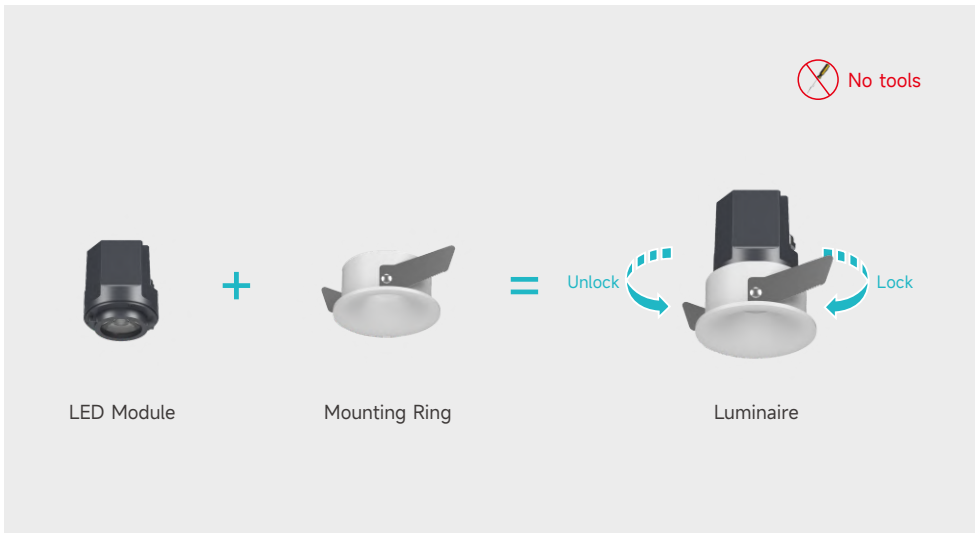
|                        |   |
|------------------------|---|
| Trim Color:            | White / Black / Custom Finish*(Consult Factory)   |
| Operating Temperature: | -20°C~35°C  |
| Lifespan:              | >50000h@80% (L80)   |
| Warranty:              | 5 years Carefree for Parts and Components<br>(Labor not included) LED luminaire life reduction and warranty invalidation will occur if installed in environments above 35°C |

#### PHYSICAL

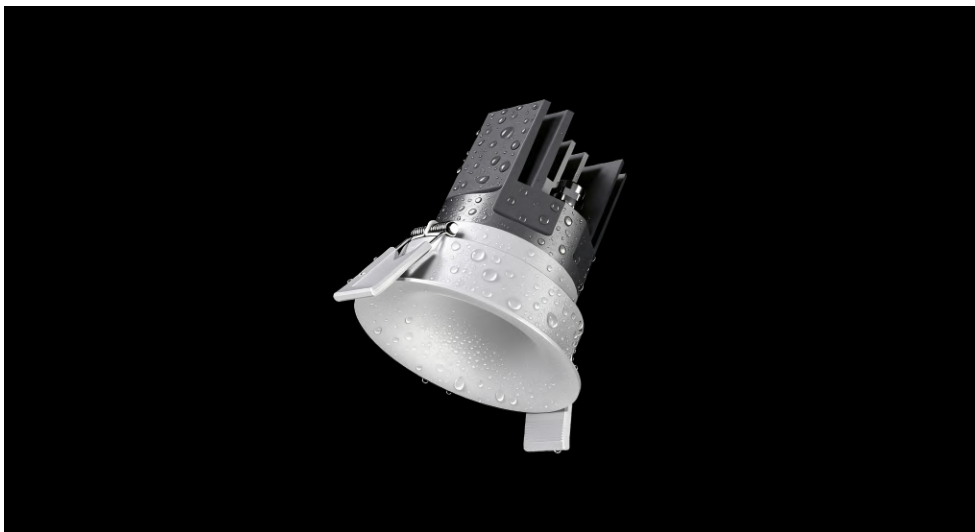
|                    |                             |
|--------------------|-----------------------------|
| Ceiling Thickness: | 2mm to 25mm spring plate    |
| Construction:      | Aluminum                    |
| Mounting:          | Recessed with spring plates |

**DETAILS**

**Modular Design**



**IP65 rated for wet location**





Type:

Project:

**ORDERING INFORMATION**

| DM050P  |   |  |  |  |  |  |   |
|---|---|--|--|--|--|--|---|
| MODULE  | TRIM  | LUMEN  | TRIM COLOR   | CRI                                      | CCT  | OPTIC  | DIMMING   |
| <input type="checkbox"/> <b>DM050</b><br>DELLA 55mm<br>Aperture<br>(IP20)<br><br><input type="checkbox"/> <b>DM050P</b><br>DELLA 55mm<br>Aperture<br>(IP65) | <input type="checkbox"/> <b>DF52RF02N</b><br>IP65 | <input type="checkbox"/> <b>L06</b><br>600lm<br><br><input type="checkbox"/> <b>L07</b><br>700lm | <input type="checkbox"/> <b>W</b><br>White<br><br><input type="checkbox"/> <b>B</b><br>Black<br><br><input type="checkbox"/> <b>C</b><br>Custom Finish<br>*(Consult Factory) | <input type="checkbox"/> <b>9</b><br>90+ | <input type="checkbox"/> <b>27</b><br>2700K<br><br><input type="checkbox"/> <b>30</b><br>3000K<br><br><input type="checkbox"/> <b>35</b><br>3500K<br><br><input type="checkbox"/> <b>40</b><br>4000K<br><br><input type="checkbox"/> <b>TW</b><br>Tunable White<br>2700K-6000K<br><br><input type="checkbox"/> <b>DW</b><br>Dim-to Warm<br>1800K-3000K | <b>8W</b><br><input type="checkbox"/> <b>015</b><br>Narrow Spot<br>15°<br><input type="checkbox"/> <b>028</b><br>Spot 28°<br><input type="checkbox"/> <b>033</b><br>Spot 33°<br><input type="checkbox"/> <b>045</b><br>Flood 45°<br><br><b>10W</b><br><input type="checkbox"/> <b>028</b><br>Spot 28°<br><input type="checkbox"/> <b>033</b><br>Spot 33°<br><input type="checkbox"/> <b>045</b><br>Flood 45° | <input type="checkbox"/> <b>V</b><br>0/1-10V<br><br><input type="checkbox"/> <b>T</b><br>Triac<br><br><input type="checkbox"/> <b>D</b><br>DALI |

**ACCESSORIES** (TO BE ORDERED SEPARATELY)  
FOR INSTALLATION CONSULT THE INSTRUCTION SHEET

**OPTICAL ACCESSORY**

**Honeycomb**  
DM50P-H



**Soft Lens**  
DM50P-L





Type:

**SPECIFICATION SHEET**

Project:

Page 4 / 7

**PHOTOMETRIC DATA (NON-DIMMING)**

| LUMEN PACKAGE    | POWER | CCT   | 15°    |          |             | 28°    |          |             | 33°    |          |             | 45°    |          |             |
|------------------|-------|-------|--------|----------|-------------|--------|----------|-------------|--------|----------|-------------|--------|----------|-------------|
|                  |       |       | LUMENS | EFFICACY | MAX CANDELA | LUMENS | EFFICACY | MAX CANDELA | LUMENS | EFFICACY | MAX CANDELA | LUMENS | EFFICACY | MAX CANDELA |
| DM050P-DF52RF02N | 8W    | 3000K | 468    | 53       | 3960        | 577    | 69       | 2268        | 566    | 68       | 1324        | 627    | 75       | 1274        |

| LUMEN PACKAGE    | POWER | CCT   | 28°    |          |             | 33°    |          |             | 45°    |          |             |
|------------------|-------|-------|--------|----------|-------------|--------|----------|-------------|--------|----------|-------------|
|                  |       |       | LUMENS | EFFICACY | MAX CANDELA | LUMENS | EFFICACY | MAX CANDELA | LUMENS | EFFICACY | MAX CANDELA |
| DM050P-DF52RF02N | 10W   | 3000K | 725    | 67       | 2845        | 709    | 65       | 1645        | 788    | 73       | 1596        |

Above test data is based on IP65 (DF52RF02N) trim with 3000K 90CRI LED.

**LUMEN MULTIPLIERS**

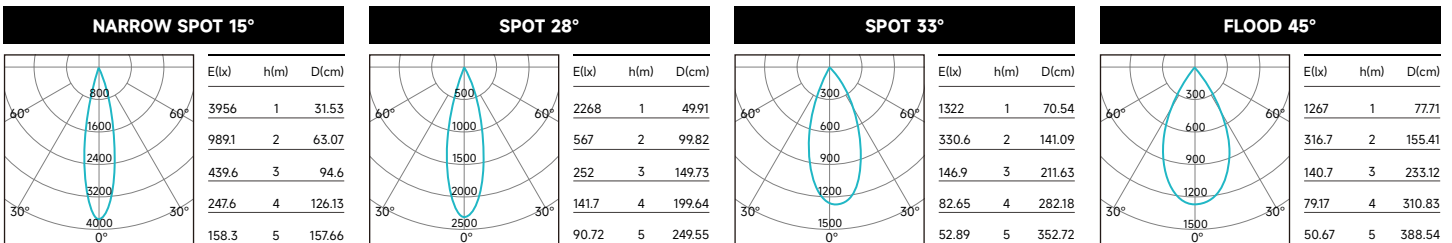
| CCT   | MULTIPLIER |
|-------|------------|
| 2700K | 0.95       |
| 3000K | 1.00       |
| 3500K | 1.04       |
| 4000K | 1.06       |

**Applying Lumen Multipliers to Calculate Delivered Lumens**

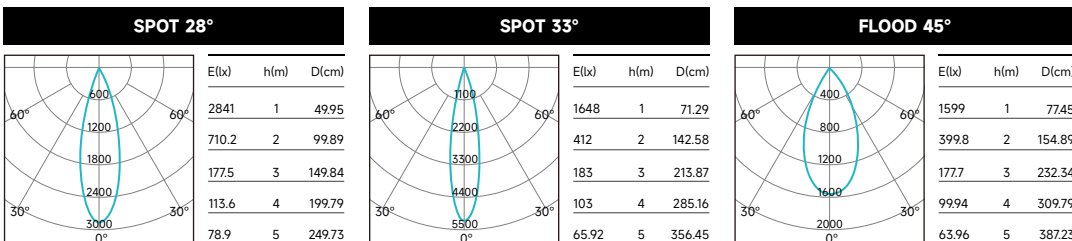
| Base Fixture Delivered Lumens (from PHOTOMETRIC DATA)   | x | CCT Multiplier | = | Delivered Lumens for Desired Fixture |
|---|---|----------------|---|--------------------------------------|
| <b>STANDARD TRIM Example: DM050P-DF52RF02N 8W 3500K</b> |   |                |   |                                      |
| 468 lm  | x | 1.04           | = | 488 lm                               |

**LIGHT DISTRIBUTION**

**3000K 8W**



**3000K 10W**



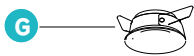
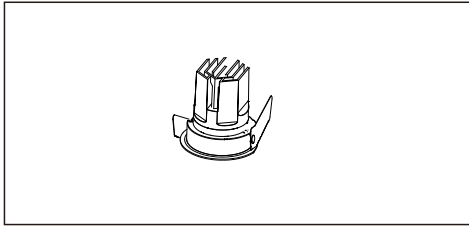
Above test data is based on IP65 (DF52RF02N) with 3000K 90CRI LED.



Type:

Project:

**EXPLODED OVERVIEW - PART SELECTION**



**PARTS**

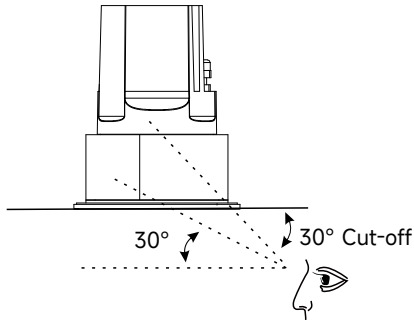
- A** - Led Module
- B** - Light Source
  - Static White: 2700K, 3000K, 3500K, 4000K
  - Tunable White: 2700K-6000K
  - Dim-to Warm: 1800K-3000K
- C** - LED Holder
- D** - Beam Lens (15° / 28° / 33° / 45°)
- E** - Fixed Ring
- F** - Honeycomb, Soft Lens
- G** - IP65 Trim For One Light Engine



Type:

Project:

**BEAM CUT OFF ANGLE**

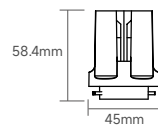


**DIMENSION**

**LED Module**



DM050 / DM050P

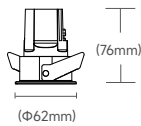


**Trim For Hotel Series**



IP65

DM050-DF52RF02N / DM050P-DF52RF02N





Type:

Project:



### DELLA 2.0 DOWNLIGHT SYSTEM

DELLA, a system of downlights stands out with its exceptional light control technology and anti-glare performance. The system offers multiple sizes ranging from Ø35mm to Ø75mm, with power ratings from 5W to 20W. flexibly adapting to diverse scenarios. Its super modular design enables all optical accessories to be replaced without tools, ensuring smooth operation and a robust structure. Compact, high-efficiency, and evolution-ready design makes DELLA a reliable choice for high-end retail, hospitality, and residential lighting.

DELLA 2.0 is not merely a recessed lighting system; it is our profound interpretation of the relationship between light and space.

### DETAILS



Scan to know more about product information