



Type:

Project:

DELLA-Wall Washer

DM060



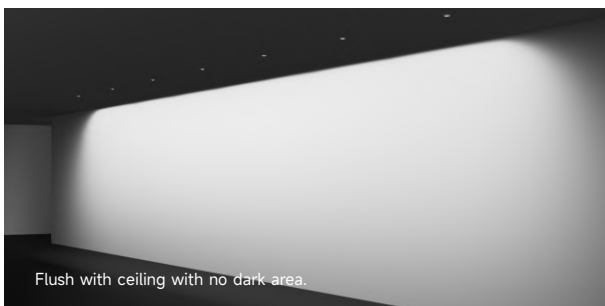
DESCRIPTION

DELLA Wall Washer redefines vertical illumination with flawless, even light from edge to edge. Its fully flush ceiling integration eliminates dark spots and ensures every lumen is delivered uniformly to the wall—when installed within the recommended spacing. Engineered for visual comfort with UGR < 2 and tool-free modularity, it is the precise, professional solution for highlighting textures, artworks, and architecture in galleries, hotels, retail, and high-end residential spaces.

FEATURES

- Delivers uniform wall wash with zero scalloping or dark zones.
- 360° Rotatable Reflector allows precise beam orientation to match wall layout and mounting position.
- Deeply recessed optical system achieves UGR < 2 for glare-free viewing.
- Reduces the number of fixtures needed while maintaining even coverage.

DETAILS



SPECIFICATIONS

ELECTRICAL

Power:	10W, 15W
Voltage:	AC 220-240V
Frequency:	50/60Hz
Power Factor:	>0.90
Dimming :	0/1-10V / TRIAC / DALI

OPTICAL

LED Type:	COB
Lumen Output:	540lm (10W), 677lm (15W)
Beam Optic:	Wall washing
Color Quality:	CRI 90+, SDCM≤3
Color Temperature:	Static White: 2700K, 3000K, 3500K, 4000K Tunable White: 2700K-6000K Dim-to Warm: 1800K-3000K

LUMINAIRE

Trim Color:	White / Black / Custom Finish*(Consult Factory)
Operating Temperature:	-20°C~35°C
Lifespan:	>50000h@80% (L80)
Warranty:	5 years Carefree for Parts and Components (Labor not included) LED luminaire life reduction and warranty invalidation will occur if installed in environments above 35°C

PHYSICAL

Adjustment Range:	Adjustable (0°-360°rotation)
Ceiling Thickness:	2mm to 25mm spring plate
Construction:	Aluminum
Mounting:	Recessed with spring plates



Type:

Project:

ORDERING INFORMATION

DM060						
MODULE	TRIM	LUMEN	TRIM COLOR	CRI	CCT	DIMMING
<input type="checkbox"/> DM060 DELLA 75mm Aperture (IP20)	<input type="checkbox"/> DF65RF01N Round fixed	<input type="checkbox"/> L05 500lm <input type="checkbox"/> L06 600lm	<input type="checkbox"/> W White <input type="checkbox"/> B Black <input type="checkbox"/> C Custom Finish *(Consult Factory)	<input type="checkbox"/> 9 90+	<input type="checkbox"/> 27 2700K <input type="checkbox"/> 30 3000K <input type="checkbox"/> 35 3500K <input type="checkbox"/> 40 4000K <input type="checkbox"/> TW Tunable White 2700K-6000K <input type="checkbox"/> DW Dim-to Warm 1800K-3000K	<input type="checkbox"/> V 0/1-10V <input type="checkbox"/> T Triac <input type="checkbox"/> D DALI

ACCESSORIES (TO BE ORDERED SEPARATELY)
 FOR INSTALLATION CONSULT THE INSTRUCTION SHEET

SECONDARY REFLECTOR COLOR

Black
 DF65RF01-B



White
 DF65RF01-W



Silver
 DF65RF01-S



Custom Finish
 *(Consult Factory)

PHOTOMETRIC DATA (NON-DIMMING)

LUMEN PACKAGE	POWER	CCT	wall wash		
			LUMENS	EFFICACY	MAX CANDELA
DM060-DF65RF01N	10W	3000K	540	54	834
DM060-DF65RF01N	15W	3000K	677	47	970

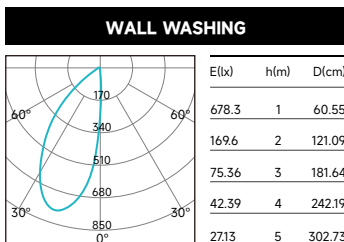
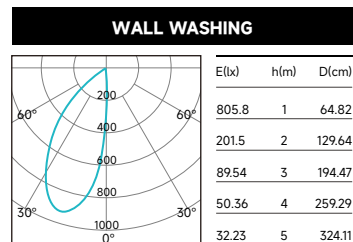
Above test data is based on 3000K 90CRI LED.

LUMEN MULTIPLIERS

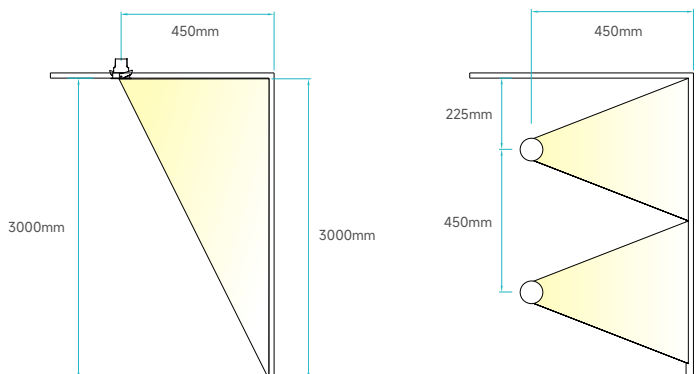
CCT	MULTIPLIER
2700K	0.95
3000K	1.00
3500K	1.04
4000K	1.06

Applying Lumen Multipliers to Calculate Delivered Lumens

Base Fixture Delivered Lumens (from PHOTOMETRIC DATA)	x	CCT Multiplier	=	Delivered Lumens for Desired Fixture
STANDARD TRIM Example: DM060-DF65RF01N 10W 3500K				
540 lm	x	1.04	=	562 lm

LIGHT DISTRIBUTION
3000K 10W

3000K 15W


Above test data is based on 3000K 90CRI LED.

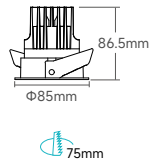
WALL WASHING SUGGESTED SPACING AND WALL DISTANCE


DIMENSION



Round Fixed

DM060-DF65RF01N



DELLA 2.0 DOWNLIGHT SYSTEM

DELLA, a system of downlights stands out with its exceptional light control technology and anti-glare performance. The system offers multiple sizes ranging from Ø35mm to Ø75mm, with power ratings from 5W to 20W. flexibly adapting to diverse scenarios. Its super modular design enables all optical accessories to be replaced without tools, ensuring smooth operation and a robust structure. Compact, high-efficiency, and evolution-ready design makes DELLA a reliable choice for high-end retail, hospitality, and residential lighting.

DELLA 2.0 is not merely a recessed lighting system; it is our profound interpretation of the relationship between light and space.

DETAILS



Scan to know more about product information