



Type:

**SPECIFICATION SHEET**

Project:

Page 1 / 7

# DELLA-Adjustable

## DM050



### DESCRIPTION

The DELLA Adjustable Downlight features a SHIFT-AXIS optical system that allows 5°–20° tilt adjustment with zero light loss or internal glare—even at full offset. Its smooth bearing-based mechanism delivers precise, click-confirmed positioning, while an optional lock screw prevents beam drift in high-vibration environments. Designed for visual comfort with a 50° cut-off angle, it is ideal for high-end commercial and residential spaces.

### FEATURES

- Pure Shift-Axis Optics: Adjust 5°–20° with no light leakage, stray light or beam distortion.
- Precision Click-Adjust: Bearing-assisted tilt with tactile and audible locking feedback.
- Vibration-Resistant Lock: Optional screw secures aim in dynamic installations.
- 50°cut-off angle with excellent UGR performance for glare-free illumination.
- Super modular design allows any module tool-free replacement and maximizes simplicity for installation, removal, and maintenance under ceilings.

### SPECIFICATIONS

#### ELECTRICAL

Power:	8W, 10W
Voltage:	AC 220-240V
Frequency:	50/60Hz
Power Factor:	>0.90
Dimming:	0/1-10V / TRIAC / DALI

#### OPTICAL

LED Type:	COB
Lumen Output:	574lm (8W), 722lm (10W)
Beam Optic:	Narrow Spot (15°) / Spot (28°, 36°) / Flood (42°) (8W) Spot (28°, 36°) / Flood (42°) (10W)
Color Quality:	CRI 90+, SDCM≤3
Color Temperature:	Static White: 2700K, 3000K, 3500K, 4000K Tunable White: 2700K-6000K Dim-to Warm: 1800K-3000K

#### LUMINAIRE

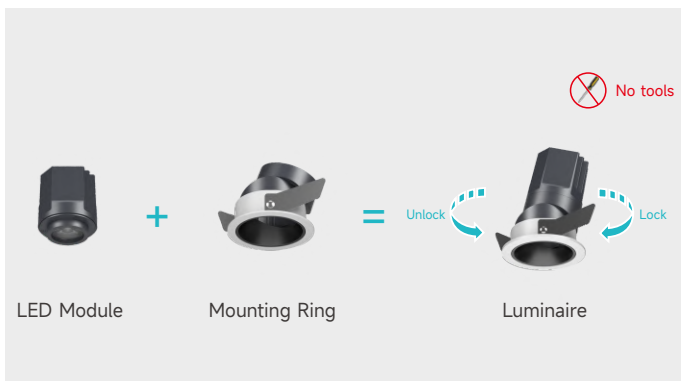
Trim Color:	White / Black / Custom Finish*(Consult Factory)
Operating Temperature:	-20°C~35°C
Lifespan:	>50000h@80% (L80)
Warranty:	5 years Carefree for Parts and Components (Labor not included) LED luminaire life reduction and warranty invalidation will occur if installed in environments above 35°C

#### PHYSICAL

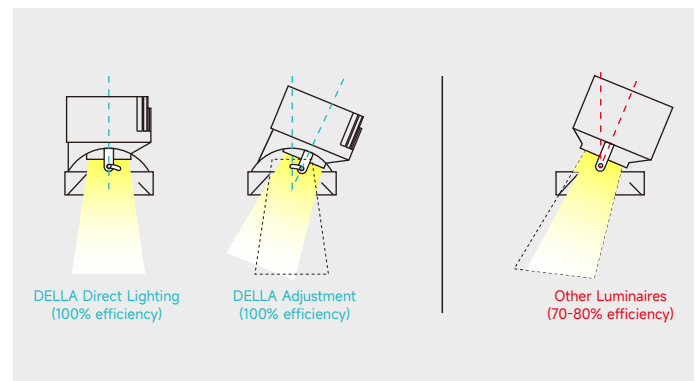
Adjustment Range:	Adjustable (0°–355°rotation, 0°–20°tilt)
Ceiling Thickness:	2mm to 25mm spring plate
Construction:	Aluminum
Mounting:	Recessed with spring plates

**DETAILS**

**Modular Design**

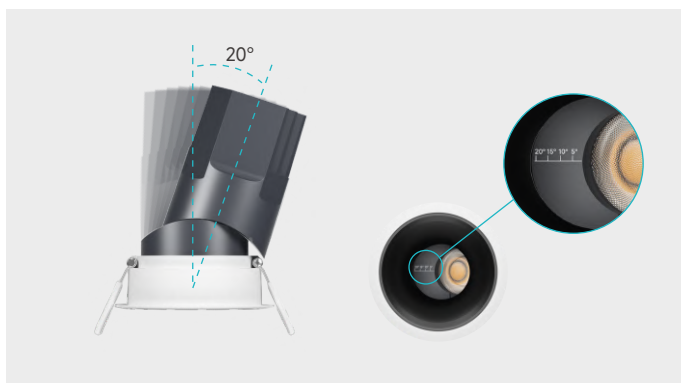


**Full Light Distribution**



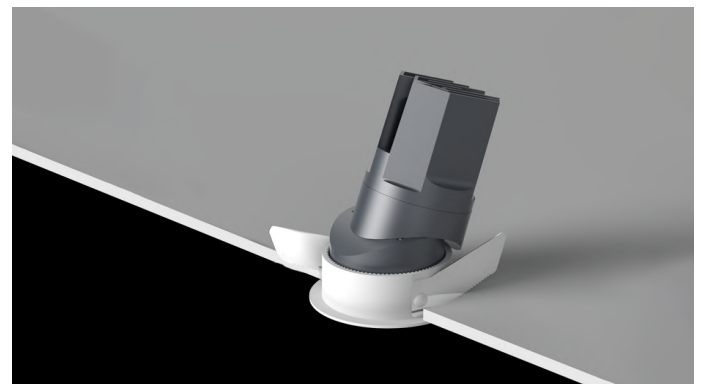
**Precise Tiltable Adjustment**

The light is precisely tiltable with scale and lock point.



**Fully Enclosed Design**

To ensure highest efficiency of distribution without light leakage even at tilt.



**Pull Ring Design (Foldable)**

No more hard work, pull out led engine in second.



**ORDERING INFORMATION**

DM050							
MODULE	TRIM	LUMEN	TRIM COLOR	CRI	CCT	OPTIC	DIMMING
<input type="checkbox"/> <b>DM050</b> DELLA 55mm Aperture (IP20)  <input type="checkbox"/> <b>DM050P</b> DELLA 55mm Aperture (IP65)	<input type="checkbox"/> <b>DF51RA01N</b> Round Adjustable  <input type="checkbox"/> <b>DF51RA01T</b> Round Adjustable Trimless	<input type="checkbox"/> <b>L05</b> 500lm  <input type="checkbox"/> <b>L07</b> 700lm	<input type="checkbox"/> <b>W</b> White  <input type="checkbox"/> <b>B</b> Black  <input type="checkbox"/> <b>C</b> Custom Finish *(Consult Factory)	<input type="checkbox"/> <b>9</b> 90+	<input type="checkbox"/> <b>27</b> 2700K  <input type="checkbox"/> <b>30</b> 3000K  <input type="checkbox"/> <b>35</b> 3500K  <input type="checkbox"/> <b>40</b> 4000K  <input type="checkbox"/> <b>TW</b> Tunable White 2700K-6000K  <input type="checkbox"/> <b>DW</b> Dim-to Warm 1800K-3000K	<b>8W</b> <input type="checkbox"/> <b>015</b> Narrow Spot 15° <input type="checkbox"/> <b>028</b> Spot 28° <input type="checkbox"/> <b>036</b> Spot 36° <input type="checkbox"/> <b>042</b> Flood 42°  <b>10W</b> <input type="checkbox"/> <b>028</b> Spot 28° <input type="checkbox"/> <b>036</b> Spot 36° <input type="checkbox"/> <b>042</b> Flood 42°	<input type="checkbox"/> <b>V</b> 0/1-10V  <input type="checkbox"/> <b>T</b> Triac  <input type="checkbox"/> <b>D</b> DALI

**ACCESSORIES** (TO BE ORDERED SEPARATELY)  
FOR INSTALLATION CONSULT THE INSTRUCTION SHEET

**OPTICAL ACCESSORY**
 **Honeycomb**  
DM50-H

 **Soft Lens**  
DM50-L

**SECONDARY REFLECTOR COLOR**
 **Matt Black**  
DF51RA01-MB

 **Matt White**  
DF51RA01-MW

 **Matt Silver**  
DF51RA01-MS

 **Custom Finish**  
\*(Consult Factory)



Type:

Project:

**PHOTOMETRIC DATA (NON-DIMMING)**

LUMEN PACKAGE	POWER	CCT	15°			28°			36°			42°		
			LUMENS	EFFICACY	MAX CANDELA	LUMENS	EFFICACY	MAX CANDELA	LUMENS	EFFICACY	MAX CANDELA	LUMENS	EFFICACY	MAX CANDELA
DM050-DF51RA01N	8W	3000K	438	50	3982	545	65	2174	547	66	1543	574	69	1322

LUMEN PACKAGE	POWER	CCT	28°			36°			42°		
			LUMENS	EFFICACY	MAX CANDELA	LUMENS	EFFICACY	MAX CANDELA	LUMENS	EFFICACY	MAX CANDELA
DM050-DF51RA01N	10W	3000K	686	63	2725	685	63	1918	722	67	1656

Above test data is based on [Round Adjustable \(DF51RA01N\)](#) trim with 3000K 90CRI LED.

**LUMEN MULTIPLIERS**

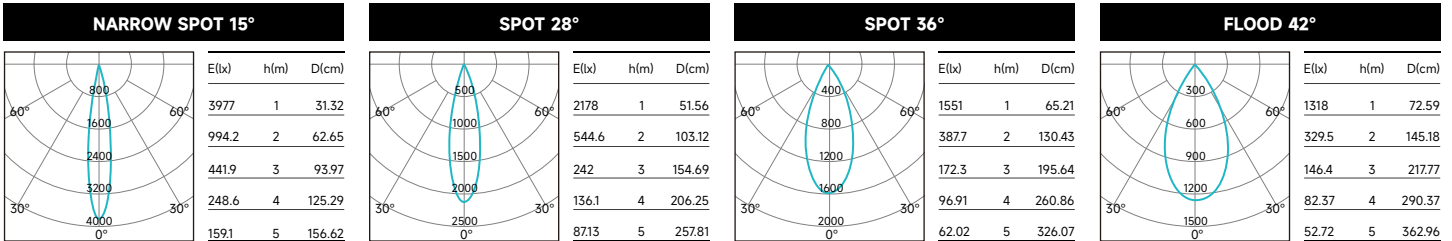
CCT	MULTIPLIER
2700K	0.95
3000K	1.00
3500K	1.04
4000K	1.06

**Applying Lumen Multipliers to Calculate Delivered Lumens**

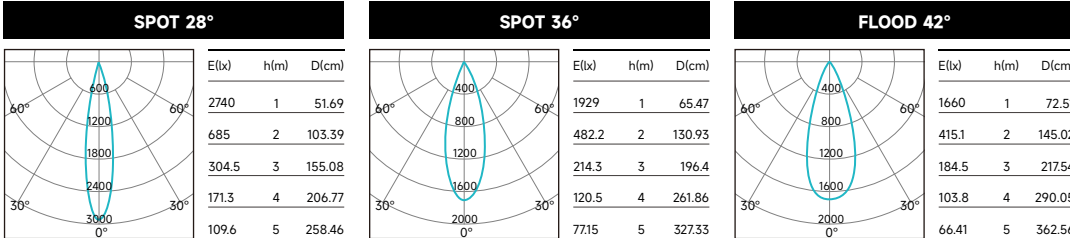
Base Fixture Delivered Lumens (from PHOTOMETRIC DATA)	x	CCT Multiplier	=	Delivered Lumens for Desired Fixture
<b>STANDARD TRIM Example: DM050-DF51RA01N 8W 3500K</b>				
438 lm	x	1.04	=	455 lm

**LIGHT DISTRIBUTION**

**3000K 8W**

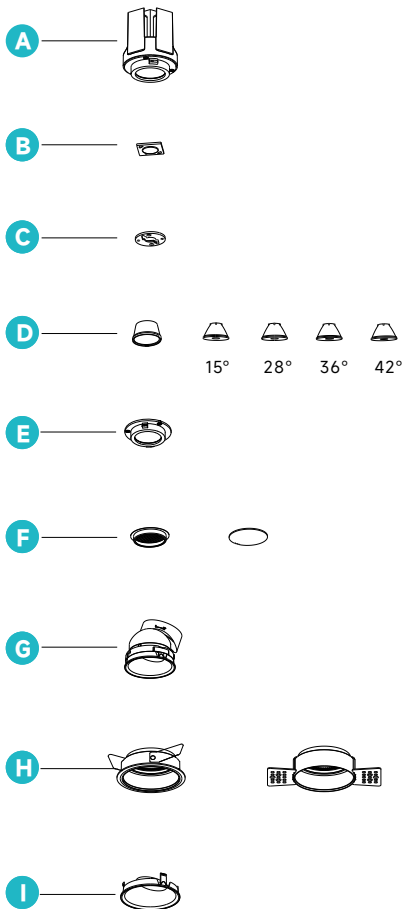
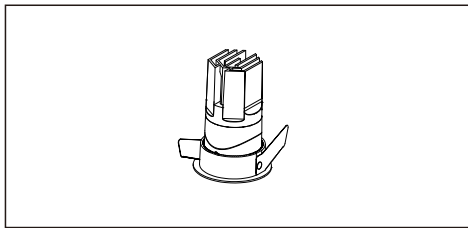


**3000K 10W**



Above test data is based on [Round Adjustable \(DF51RA01N\)](#) with 3000K 90CRI LED.

**EXPLODED OVERVIEW - PART SELECTION**

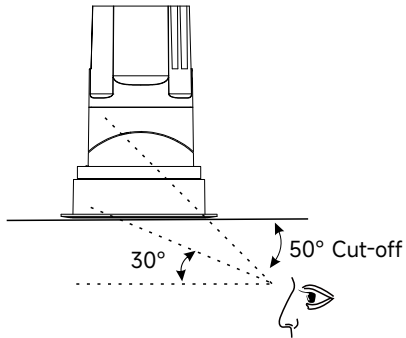


**PARTS**

- A** - Led Module
- B** - Light Source
  - Static White: 2700K, 3000K, 3500K, 4000K
  - Tunable White: 2700K-6000K
  - Dim-to Warm: 1800K-3000K
- C** - LED Holder
- D** - Beam Lens (15° / 28° / 36° / 42°)
- E** - Fixed Ring
- F** - Honeycomb, Soft Lens
- G** - Precise Angle Alignment (Round-Adjustable)
- H** - Round Adjustable Trim For One Light Engine  
Round Adjustable Trimless For One Light Engine
- I** - Interchangeable Secondary Reflector (Round-Adjustable)

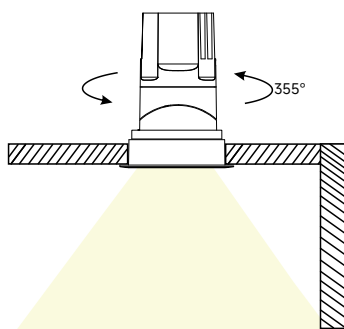
**BEAM CUT OFF ANGLE**

Adjustable (0°Tilt)



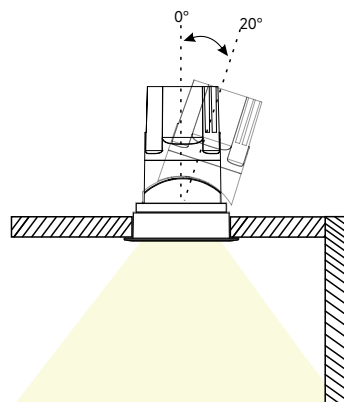
**ADJUSTMENT**

355° Rotation



(For round trim only)

0° to 20° Tilt Adjustment

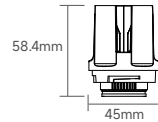


**DIMENSION**

**LED Module**



DM050 / DM050P

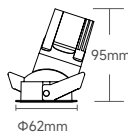


**Trim For Hotel Series**



Round Adjustable

DM050-DF51RA01N / DM050P-DF51RA01N

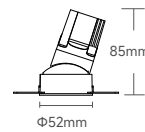


Φ55mm

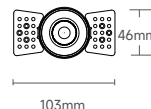


Round Adjustable Trimless

DM050-DF51RA01T / DM050P-DF51RA01T



Φ55mm



**DELLA 2.0 DOWNLIGHT SYSTEM**

DELLA, a system of downlights stands out with its exceptional light control technology and anti-glare performance. The system offers multiple sizes ranging from Ø35mm to Ø75mm, with power ratings from 5W to 20W. flexibly adapting to diverse scenarios. Its super modular design enables all optical accessories to be replaced without tools, ensuring smooth operation and a robust structure. Compact, high-efficiency, and evolution-ready design makes DELLA a reliable choice for high-end retail, hospitality, and residential lighting.

DELLA 2.0 is not merely a recessed lighting system; it is our profound interpretation of the relationship between light and space.

**DETAILS**



Scan to know more about product information