



Type:

SPECIFICATION SHEET

Project:

Page 1 / 5

IMAX-Standard

TLI015-51 / TLI020-51 / TLI025-51 / TLI030-51



DESCRIPTION

IMAX (EN-TLI series, standard version) is a slim and clean LED track light that will fit smoothly into any retail and gallery environments. High lumen efficiency (>100lm/W) & versatile optical accessories can increase the great light comfort and fulfill different light demands. The head can be adjusted precisely 360°+ horizontal (rotation) without dead angle and 90° vertical. The light, as a result, is emitted exactly where you need it.

FEATURES

- Slim and clean design with adaptor driver.
- Light efficiency is up to 100lm/W.
- Interchangeable lens: 15°, 24°, 38°, 60°.
- Can be dressed in honeycomb filter and cross louver to enhance the visual quality, reduce glare.
- Privately-designed joints can hold the track head at any positions without malfunctions.
- 360°+ rotation without dead angle and 90° vertical aiming.

ELECTRICAL

Power: 15W / 20W / 25W / 30W
 Voltage: 220-240V / 100-277V AC
 Frequency: 50/60Hz
 Class: II
 Power Factor: >0.90
 Dimming: On-off / 0/1-10V / DALI / TRIAC

OPTICAL

LED Type: COB
 Lumen Output: 1408lm(15W), 1965lm(20W), 2376lm(25W), 2918lm(30W)
 Beam Optic: Narrow Spot (15°) / Spot (24°, 38°) / Flood (60°)
 Color Quality: CRI 80+/90+, SDCM≤3
 Color Temperature: Static white: 2700K/3000K/3500K/4000K
 TM30 values: Rf: 99-105 Rg: 88-92
 LM80: ANSI/IES LM-80-15

LUMINAIRE

Location: Indoor
 Installation Methods: Track-mounted
 IP Rating: IP20
 Adjustability: 0°-90° tiltable, 360°+ rotatable
 Luminaire Color: RAL9005 Black / RAL9016 White / Custom Finish*(Consult Factory)
 Material: Die-cast aluminum
 Operating Temperature: -20°C~40°C
 Lifespan: > 50000h@80%(L80)
 Warranty: 5 years Carefree for Parts and Components (Labor not included) LED luminaire life reduction and warranty invalidation will occur if installed in environments above 40°C

DETAILS



0-10V dimmer



3 steps CCT adjustment (2500K, 3000K, 4000K)

ENCORE INTERNATIONAL COMPANY LIMITED

HK HQ: Room 1, 16/F, Empress Plaza 17-19 Chatham Road South Tsim Sha Tsui, KL.
 Factory: 2/F, Bld 8th, Zhengzhong Industrial Park, Qiaotou Community, Fuyong, Bao'an District, Shenzhen.

E: sales@encore-tech.com
 T: +852 6768 2519

ENCORE
 www.encore-tech.com



Type:

Project:

ORDERING INFORMATION

TLI								
SERIES	POWER	INSTALLATION	HOUSING COLOR	TRACK TYPE	CRI	CCT	OPTIC	DIMMING
<input type="checkbox"/> TLI IMAX	<input type="checkbox"/> 015 15W <input type="checkbox"/> 020 20W <input type="checkbox"/> 025 25W <input type="checkbox"/> 030 30W	<input type="checkbox"/> 51 Track	<input type="checkbox"/> W White <input type="checkbox"/> B Black <input type="checkbox"/> S Silver	<input type="checkbox"/> J 2-pin Juno <input type="checkbox"/> L 2-pin Lightolier <input type="checkbox"/> H 3-pin Halo <input type="checkbox"/> G 4-pin Global <input type="checkbox"/> S 4-pin Standard	<input type="checkbox"/> 8 80+ <input type="checkbox"/> 9 90+	<input type="checkbox"/> 27 2700K <input type="checkbox"/> 30 3000K <input type="checkbox"/> 35 3500K <input type="checkbox"/> 40 4000K	<input type="checkbox"/> 015 Narrow Spot 15° <input type="checkbox"/> 024 Spot 24° <input type="checkbox"/> 038 Spot 38° <input type="checkbox"/> 060 Flood 60°	<input type="checkbox"/> V 0/1-10V <input type="checkbox"/> T Triac <input type="checkbox"/> X 0-10V/Triac <input type="checkbox"/> D DALI <input type="checkbox"/> N Non-dimming

ACCESSORIES (TO BE ORDERED SEPARATELY)
FOR INSTALLATION CONSULT THE INSTRUCTION SHEET

OPTICAL ACCESSORY

Honeycomb
TLI-AC01



Cross Louver
TLI-AC02





Type:

Project:

PHOTOMETRIC DATA (NON-DIMMING)

LUMEN PACKAGE	POWER	CCT	15°			24°			38°			60°		
			LUMENS	EFFICACY	MAX CANDELA	LUMENS	EFFICACY	MAX CANDELA	LUMENS	EFFICACY	MAX CANDELA	LUMENS	EFFICACY	MAX CANDELA
TLI015-51	15W	3000K	1287	92	7948	1408	101	7332	1400	100	2901	1268	91	1341
TLI020-51	20W	3000K	1795	93	7238	1910	99	6952	1965	102	3696	1732	90	1884
TLI025-51	25W	3000K	2212	94	9284	2319	99	8226	2376	101	4467	2095	89	2265
TLI030-51	30W	3000K	2657	90	11006	2780	94	9900	2918	99	5486	2553	86	2762

LUMEN MULTIPLIERS

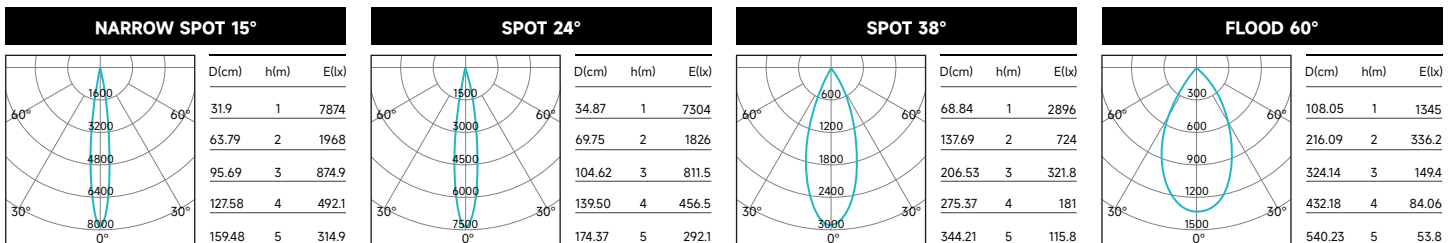
CCT	MULTIPLIER
2700K	0.93
3000K	1.00
3500K	1.07
4000K	1.15

Applying Lumen Multipliers to Calculate Delivered Lumens

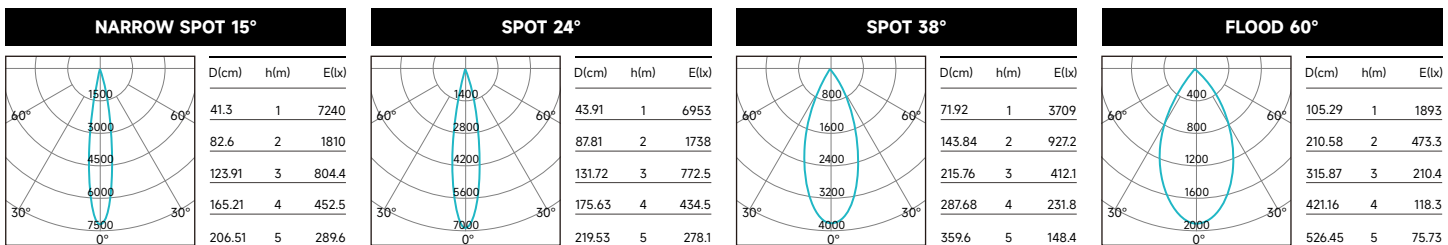
Base Fixture Delivered Lumens (from PHOTOMETRIC DATA)	x	CCT Multiplier	=	Delivered Lumens for Desired Fixture
STANDARD TRIM Example: TLI015-51 15W 3500K				
1287 lm	x	1.07	=	1377 lm

LIGHT DISTRIBUTION

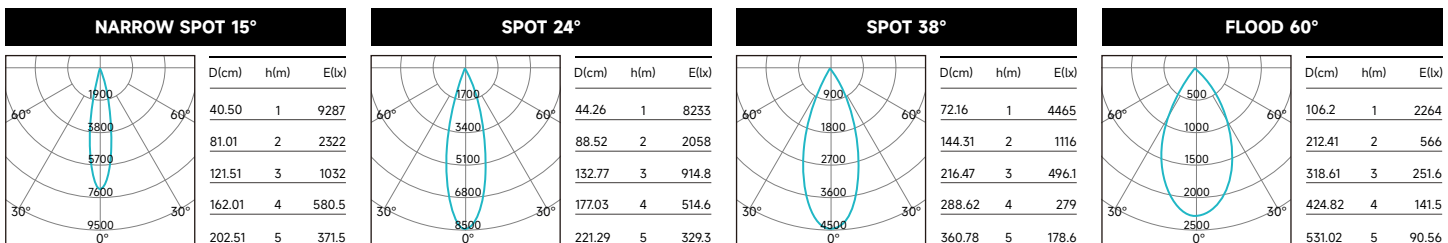
3000K 15W



3000K 20W



3000K 25W





Type:

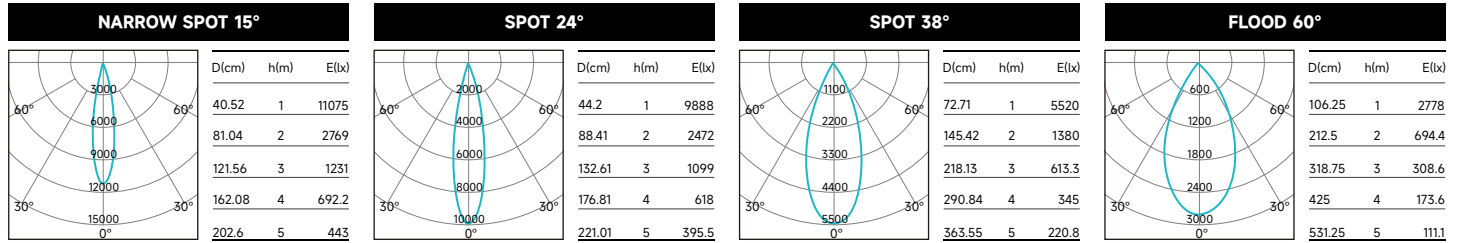
SPECIFICATION SHEET

Project:

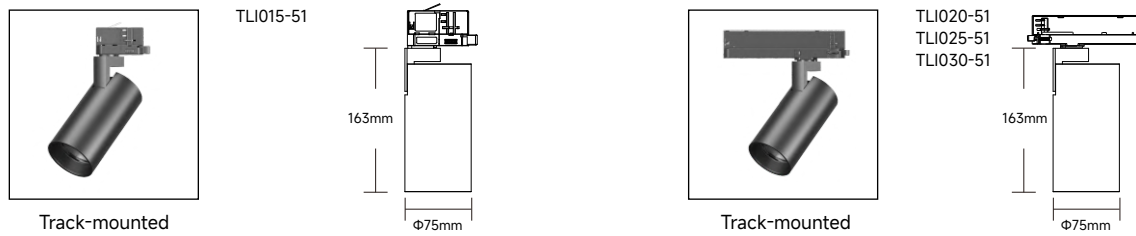
Page 4 / 5

LIGHT DISTRIBUTION

3000K 30W

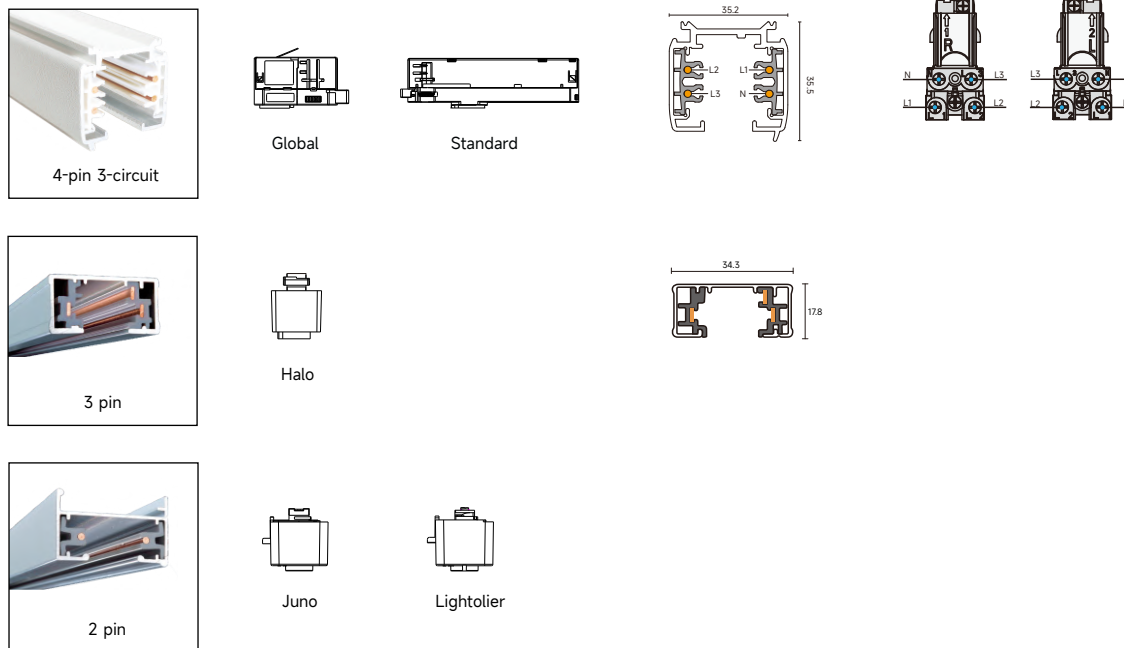


DIMENSION



INSTALLATION

Track-mounted





Type:

SPECIFICATION SHEET

Project:

Page 5 / 5



IMAX TRACK LIGHT SYSTEM

ONE SOLUTION for many beam angle challenges. IMAX Family Track Lights provide first-class options for architects, lighting designer who want superior flexibility in an LED accent lighting system.

In versions with different light solutions, IMAX covers high performance accent lighting with different interchangeable beam lens, beam angle adjusting from narrow to wide, and contour projection.

Attracted by it's slim and clean design, IMAX is a complete family with full lighting solutions. If you have an environment ask for different lighting solution, IMAX will be the best choice to get a unified impression.

DETAILS



Scan to know more about product information